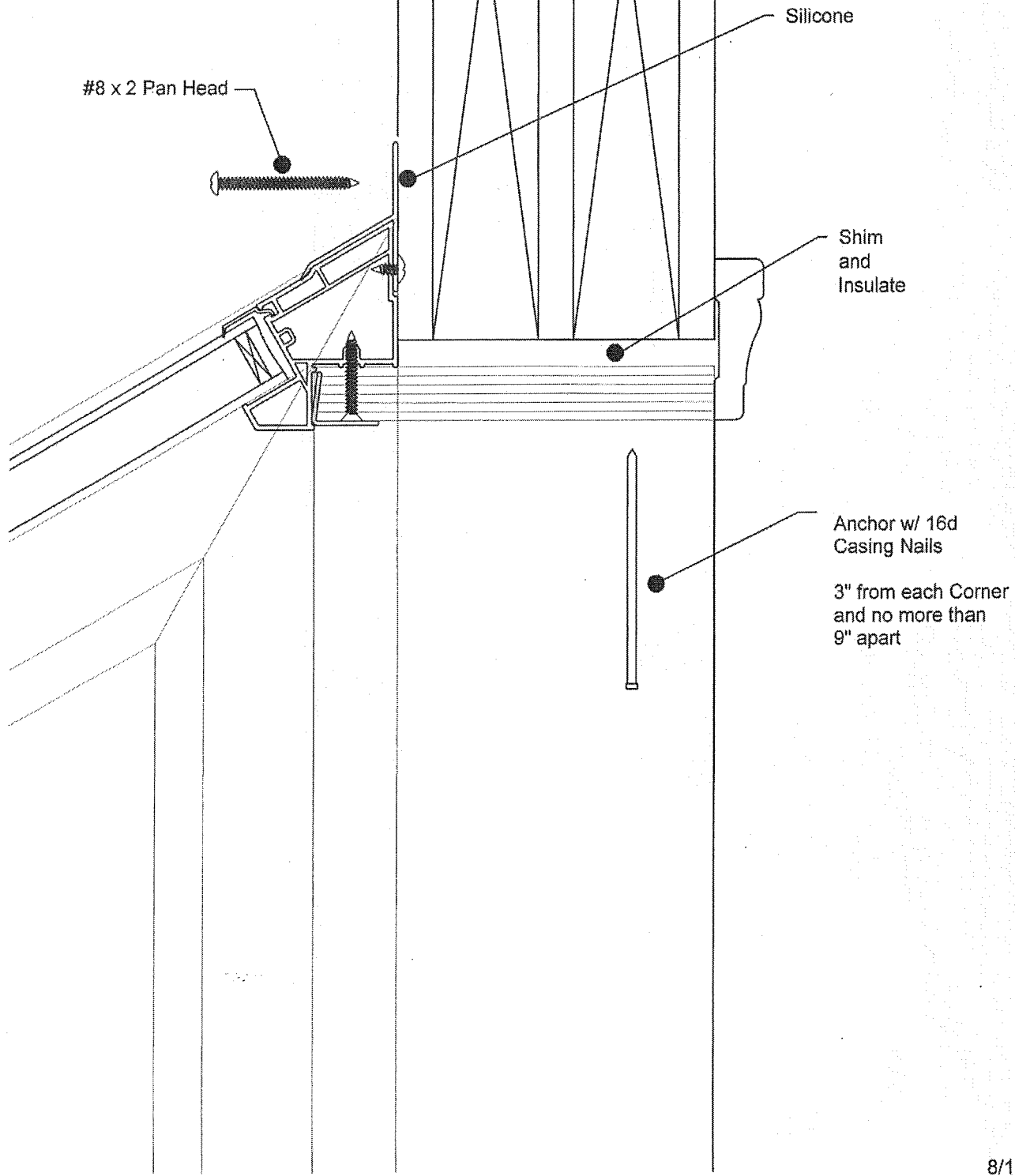


Head Detail



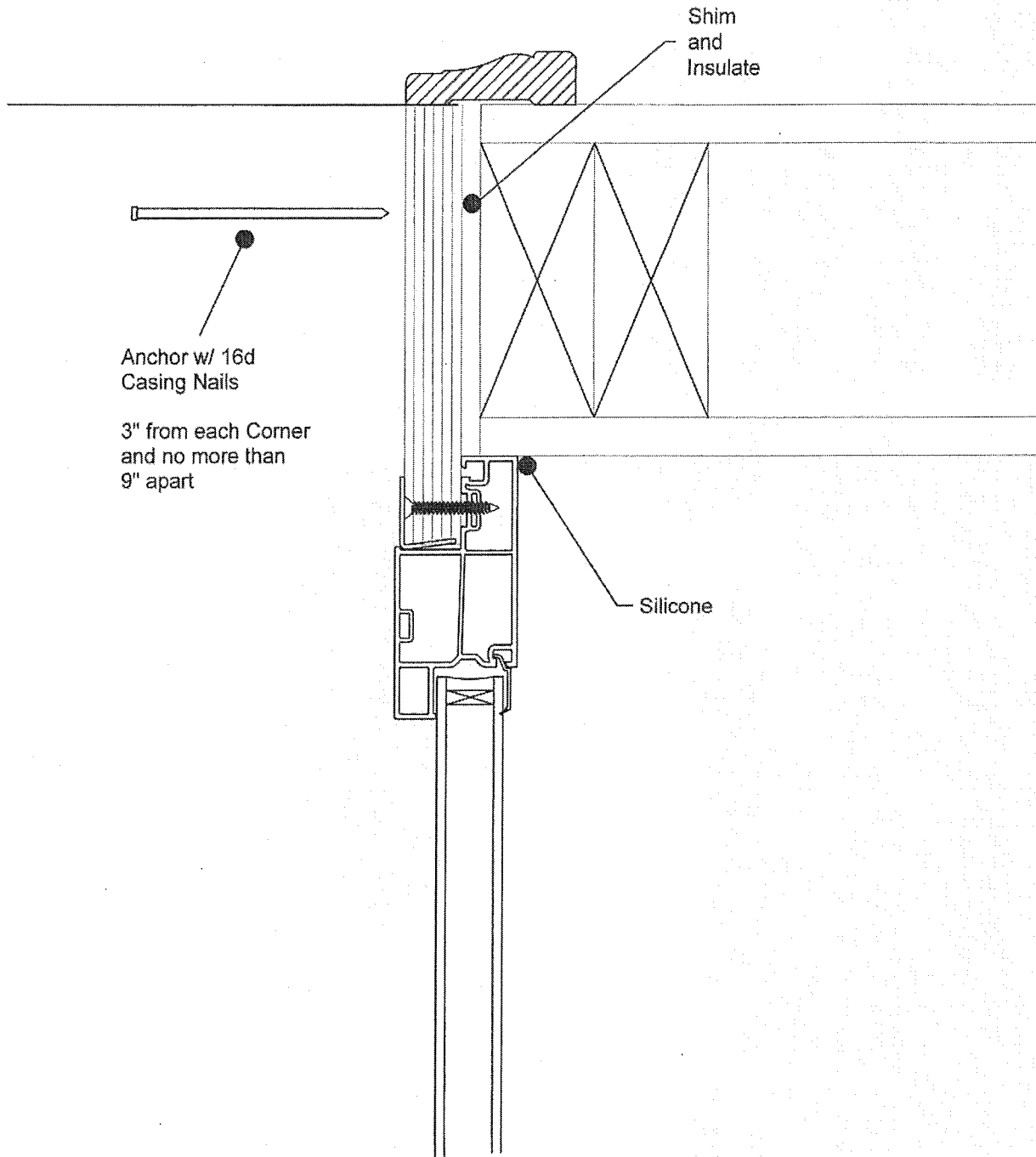
8/13



9944 US Hwy. 10 NW
Elk River, MN 55330

	DATE:	
	SCALE:	
	DRAWN BY:	
	FILE NAME:	
	DWG. NAME:	

Jamb Detail



1510 **W** SPECIALTY CO.

9944 US Hwy. 10 NW
Elk River, MN 55330

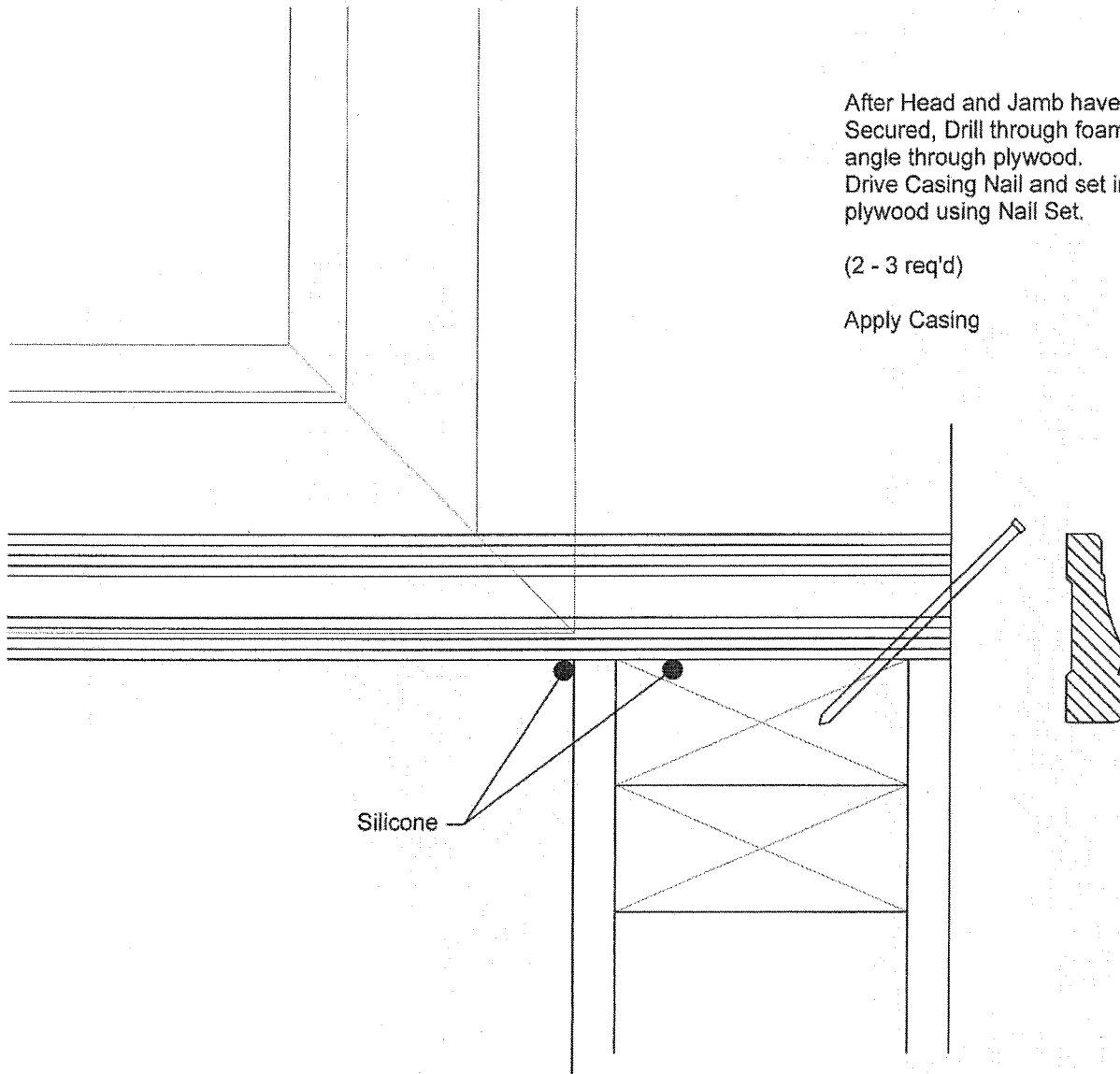
	DATE:	
	SCALE:	
	DRAWN BY:	
	FILE NAME:	
	DWG. NAME:	

Seat Detail

After Head and Jamb have been Secured, Drill through foam at angle through plywood.
Drive Casing Nail and set into plywood using Nail Set.

(2 - 3 req'd)

Apply Casing



8/13

JJ SPECIALTY CO.

9944 US Hwy. 10 NW
Elk River, MN 55330

	DATE:	
	SCALE:	
		DRAWN BY:
		FILE NAME:
	DWG. NAME:	